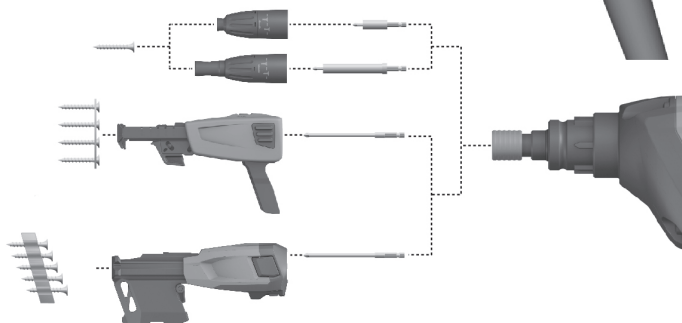
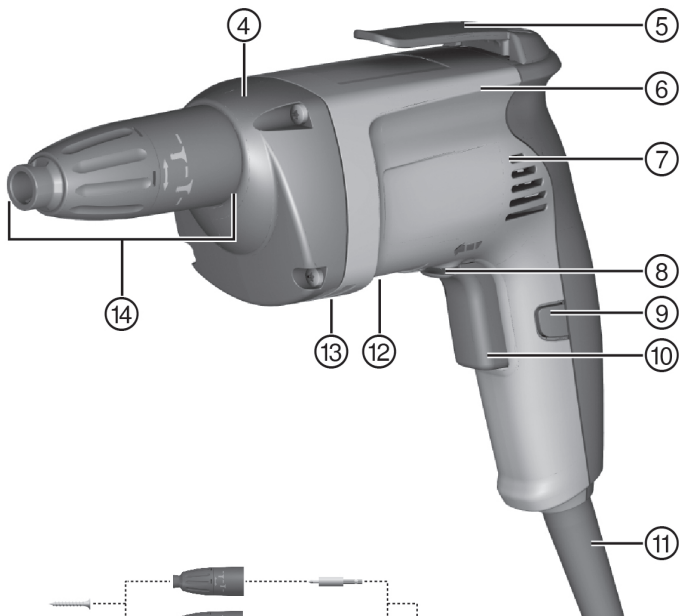



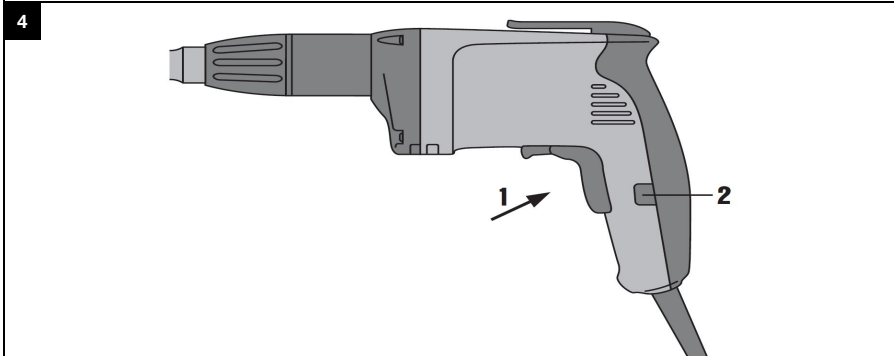
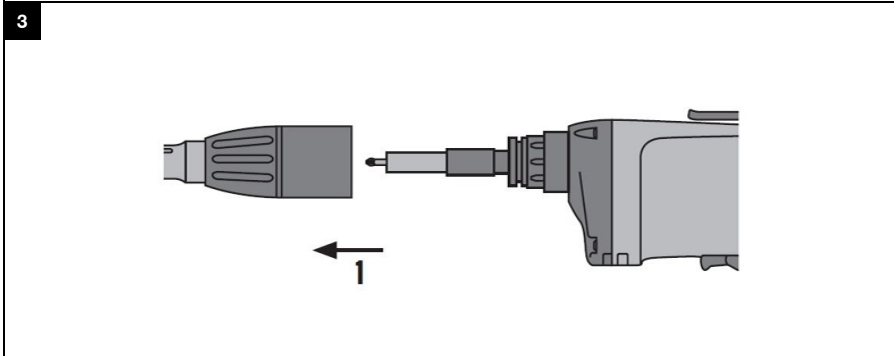
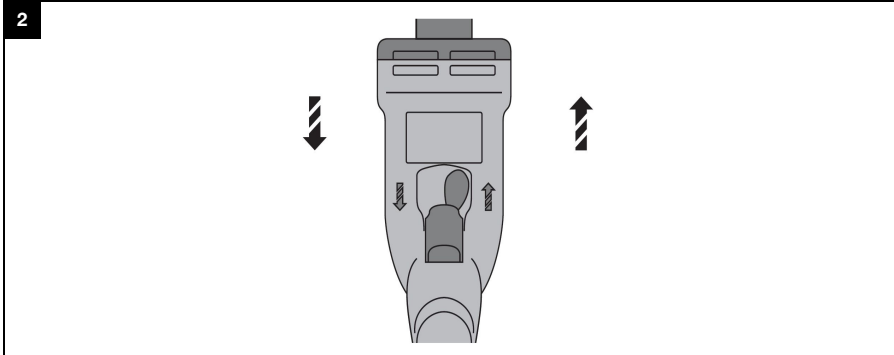


SD 2500 SD 4500

English	1
Français	9
Español	17
Português	25




 This Product is Certified
 Ce produit est homologué
 Producto homologado por
 Este produto está registrado



1 Information about the documentation

1.1 About this documentation

- Read this documentation before initial operation or use. This is a prerequisite for safe, trouble-free handling and use of the product.
- Observe the safety instructions and warnings in this documentation and on the product.
- Always keep the operating instructions with the product and make sure that the operating instructions are with the product when it is given to other persons.

1.2 Explanation of symbols used

1.2.1 Warnings

Warnings alert persons to hazards that occur when handling or using the product. The following signal words are used:



DANGER !

- ▶ Draws attention to imminent danger that will lead to serious personal injury or fatality.



WARNING !

- ▶ Draws attention to a potential threat of danger that can lead to serious injury or fatality.



CAUTION !

- ▶ Draws attention to a potentially dangerous situation that could lead to slight personal injury or damage to the equipment or other property.

1.2.2 Symbols in the documentation

The following symbols are used in this document:

	Read the operating instructions before use.
	Instructions for use and other useful information
	Dealing with recyclable materials
	Do not dispose of electric equipment and batteries as household waste

1.2.3 Symbols in the illustrations

The following symbols are used in illustrations:

	These numbers refer to the corresponding illustrations found at the beginning of these operating instructions
3	The numbering reflects the sequence of operations shown in the illustrations and may deviate from the steps described in the text
	Item reference numbers are used in the overview illustrations and refer to the numbers used in the product overview section
	This symbol is intended to draw special attention to certain points when handling the product.
	Wireless data transfer



1.3 Product information

Hilti products are designed for professional use and may be operated, serviced and maintained only by trained, authorized personnel. This personnel must be informed of any particular hazards that may be encountered. The product and its ancillary equipment may present hazards when used incorrectly by untrained personnel or when used not as directed.

- Make a note of the designation and serial number printed on the identification plate in the following table.
- ▶ Always quote this information when you contact a Hilti representative or Hilti Service to inquire about the product.

Product information

Drywall screwdriver:	SD 4500 SD 2500
Generation:	01
Serial number:	

1.4 Declaration of conformity

We declare, on our sole responsibility, that the product described here complies with the applicable directives and standards. A copy of the declaration issued by the certification department can be found at the end of this documentation.

The technical documentation is filed here:

Hilti Entwicklungsgesellschaft mbH | Tool Certification | Hiltistrasse 6 | 86916 Kaufering, Germany

2 Safety

2.1 Safety instructions

The safety rules given in the following section contain all general safety rules for electric tools which, in accordance with the applicable standards, require to be listed in the operating instructions. Accordingly, some of the rules listed may not be relevant to this tool.

2.1.1 General power tool safety warnings

⚠ WARNING Read all safety warnings, instructions, illustrations and specifications provided with this power tool. Failure to follow all instructions listed below may result in electric shock, fire and/or serious injury. **Save all warnings and instructions for future reference.**

The term "power tool" in the warnings refers to your mains-operated (corded) power tool or battery-operated (cordless) power tool.

Work area safety

- ▶ **Keep work area clean and well lit.** Cluttered or dark areas invite accidents.
- ▶ **Do not operate power tools in explosive atmospheres, such as in the presence of flammable liquids, gases or dust.** Power tools create sparks which may ignite the dust or fumes.
- ▶ **Keep children and bystanders away while operating a power tool.** Distractions can cause you to lose control.

Electrical safety

- ▶ **Power tool plugs must match the outlet. Never modify the plug in any way. Do not use any adapter plugs with earthed (grounded) power tools.** Unmodified plugs and matching outlets will reduce risk of electric shock.
- ▶ **Avoid body contact with earthed or grounded surfaces, such as pipes, radiators, ranges and refrigerators.** There is an increased risk of electric shock if your body is earthed or grounded.
- ▶ **Do not expose power tools to rain or wet conditions.** Water entering a power tool will increase the risk of electric shock.
- ▶ **Do not abuse the cord. Never use the cord for carrying, pulling or unplugging the power tool. Keep cord away from heat, oil, sharp edges or moving parts.** Damaged or entangled cords increase the risk of electric shock.
- ▶ **When operating a power tool outdoors, use an extension cord suitable for outdoor use.** Use of a cord suitable for outdoor use reduces the risk of electric shock.
- ▶ **If operating a power tool in a damp location is unavoidable, use a residual current device (RCD) protected supply.** Use of an RCD reduces the risk of electric shock.



Personal safety

- ▶ **Stay alert, watch what you are doing and use common sense when operating a power tool. Do not use a power tool while you are tired or under the influence of drugs, alcohol or medication.** A moment of inattention while operating power tools may result in serious personal injury.
- ▶ **Use personal protective equipment. Always wear eye protection.** Protective equipment such as a dust mask, non-skid safety shoes, hard hat or hearing protection used for appropriate conditions will reduce personal injuries.
- ▶ **Prevent unintentional starting. Ensure the switch is in the off-position before connecting to power source and/or battery pack, picking up or carrying the tool.** Carrying power tools with your finger on the switch or energising power tools that have the switch on invites accidents.
- ▶ **Remove any adjusting key or wrench before turning the power tool on.** A wrench or a key left attached to a rotating part of the power tool may result in personal injury.
- ▶ **Do not overreach. Keep proper footing and balance at all times.** This enables better control of the power tool in unexpected situations.
- ▶ **Dress properly. Do not wear loose clothing or jewellery. Keep your hair and clothing away from moving parts.** Loose clothes, jewellery or long hair can be caught in moving parts.
- ▶ **If devices are provided for the connection of dust extraction and collection facilities, ensure these are connected and properly used.** Use of dust collection can reduce dust-related hazards.
- ▶ **Do not let familiarity gained from frequent use of tools allow you to become complacent and ignore tool safety principles.** A careless action can cause severe injury within a fraction of a second.

Power tool use and care

- ▶ **Do not force the power tool. Use the correct power tool for your application.** The correct power tool will do the job better and safer at the rate for which it was designed.
- ▶ **Do not use the power tool if the switch does not turn it on and off.** Any power tool that cannot be controlled with the switch is dangerous and must be repaired.
- ▶ **Disconnect the plug from the power source and/or remove the battery pack, if detachable, from the power tool before making any adjustments, changing accessories, or storing power tools.** Such preventive safety measures reduce the risk of starting the power tool accidentally.
- ▶ **Store idle power tools out of the reach of children and do not allow persons unfamiliar with the power tool or these instructions to operate the power tool.** Power tools are dangerous in the hands of untrained users.
- ▶ **Maintain power tools and accessories. Check for misalignment or binding of moving parts, breakage of parts and any other condition that may affect the power tool's operation. If damaged, have the power tool repaired before use.** Many accidents are caused by poorly maintained power tools.
- ▶ **Keep cutting tools sharp and clean.** Properly maintained cutting tools with sharp cutting edges are less likely to bind and are easier to control.
- ▶ **Use the power tool, accessories and tool bits etc. in accordance with these instructions, taking into account the working conditions and the work to be performed.** Use of the power tool for operations different from those intended could result in a hazardous situation.
- ▶ **Keep handles and grasping surfaces dry, clean and free from oil and grease.** Slippery handles and grasping surfaces do not allow for safe handling and control of the tool in unexpected situations.

Service

- ▶ **Have your power tool serviced by a qualified repair person using only identical replacement parts.** This will ensure that the safety of the power tool is maintained.

2.1.2 Drill/driver safety warnings

- ▶ **Hold the power tool by insulated gripping surfaces, when performing an operation where the fastener may contact hidden wiring or its own cord.** Fasteners contacting a "live" wire may make exposed metal parts of the power tool "live" and could give the operator an electric shock.

2.1.3 Additional safety instructions

Personal safety

- ▶ Use the product only when it is in technically faultless condition.
- ▶ Never tamper with or modify the tool in any way.
- ▶ Apply appropriate safety measures at the opposite side of the workpiece in work that involves breaking through. Parts breaking away could fall out and / or fall down causing injury to other persons.
- ▶ Always hold the power tool with both hands on the grips provided. Keep the grips clean and dry.
- ▶ Avoid touching rotating parts – risk of injury!



- ▶ Wear suitable protective glasses, a hard hat, ear protection, protective gloves and light respiratory protection while using the tool.
- ▶ Always activate the safety lock before changing accessory tools, before storing the electric tool or before transporting it.
- ▶ Wear protective gloves also when changing the accessory tool. Touching the accessory tool presents a risk of injury (cuts or burns).
- ▶ Wear eye protection. Flying fragments present a risk of injury to the body and eyes.
- ▶ Before beginning the work, check the hazard classification of the dust that will be produced. Use an industrial vacuum cleaner with an officially approved protection classification in compliance with locally applicable dust protection regulations.
- ▶ Use a dust removal system and suitable vacuum cleaner whenever possible. Dust from materials, such as paint containing lead, some wood species, concrete/masonry/stone containing silica, and minerals as well as metal, may be harmful.
- ▶ Make sure that the workplace is well ventilated and, where necessary, wear a respirator appropriate for the type of dust generated. Contact with or inhalation of the dust may cause allergic reactions and/or respiratory or other diseases to the operator or bystanders. Certain kinds of dust are classified as carcinogenic such as oak and beech dust, especially in conjunction with additives for wood conditioning (chromate, wood preservative). Material containing asbestos may be handled only by specialists.
- ▶ Take breaks between working and do physical exercises to improve the blood circulation in your fingers. Exposure to vibration during long periods of work can lead to disorders of the blood vessels and nervous system in the fingers, hands and wrists.

Electrical safety

- ▶ Before beginning work, check the working area for concealed electric cables or gas and water pipes. External metal parts of the power tool may give you an electric shock if you damage an electric cable accidentally.

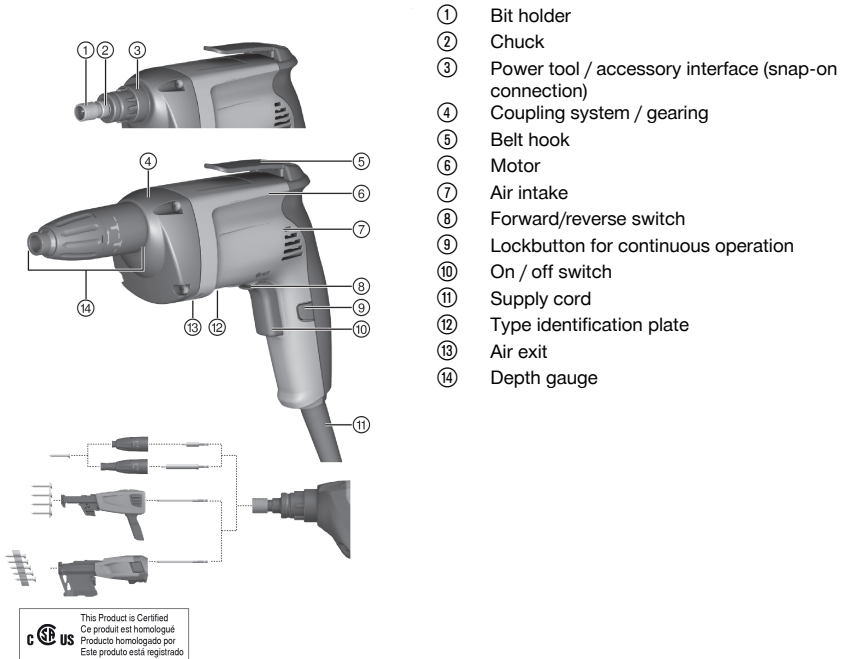
Careful handling and use of power tools

- ▶ Secure the workpiece. A workpiece clamped in a vice or secured by some other clamping device is more secure than when held only by hand.
- ▶ Switch the power tool off if the accessory tool sticks and stalls. The power tool may be deflected laterally.
- ▶ Wait until the power tool stops completely before you lay it down.



3 Description

3.1 Overview of the product



- ① Bit holder
- ② Chuck
- ③ Power tool / accessory interface (snap-on connection)
- ④ Coupling system / gearing
- ⑤ Belt hook
- ⑥ Motor
- ⑦ Air intake
- ⑧ Forward/reverse switch
- ⑨ Lockbutton for continuous operation
- ⑩ On / off switch
- ⑪ Supply cord
- ⑫ Type identification plate
- ⑬ Air exit
- ⑭ Depth gauge

This Product is Certified
 Ce produit est homologué
 Producto homologado por
 Este producto está registrado

3.2 Intended use

The product described is a hand-held mains-powered electric tool for use in drywall installation. The power tool is designed for driving and removing screws in drywall installation work. Drywall screws with a length of up to 55 mm and a diameter of up to 4.2 mm can be used. Working with materials hazardous to health (e.g. asbestos) is not permissible.

3.3 Items supplied

Drywall screwdriver, operating instructions

You can find other system products approved for use with your product at your local **Hilti** Center or online at: www.hilti.com.

4 Technical data

4.1 Technical data

	SD 4500	SD 2500
Rated current input	6.5 A	3.3 A
Weight	1.4 kg (3.1 lb)	1.5 kg (3.3 lb)
Rated speed under no load	0 /min ... 4,500 /min	0 /min ... 2,500 /min
Max. torque	9.5 Nm	19 Nm
Socket/bit drive	Hex socket 1/4"	Hex socket 1/4"



2021357

5 Operation

5.1 Preparations at the workplace

CAUTION

Risk of injury! Inadvertent starting of the product.

- ▶ Unplug the supply cord before making adjustments to the power tool or before changing accessories.

Observe the safety instructions and warnings in this documentation and on the product.

5.1.1 Working safely with the universal hook

- ▶ Before beginning the work, make sure that the universal hook is securely attached to the screwdriver.
- ▶ Lay the screwdriver down in a safe place when it is not in use for a long period.

5.1.2 Forward / reverse



The control switch is locked when the forward / reverse switch is in the middle position (safety lock).

- ▶ Set the forward / reverse selector switch to forward or reverse rotation.

5.2 Changing the accessory tool.

1. Pull the depth gauge away from the power tool, releasing the snap-on connection.
2. Push the chuck towards the screwdriver, turning the chuck slightly at the same time, and then hold it in this position.
3. Remove the accessory tool with your other hand.
4. Insert the desired accessory tool in the chuck, pushing it into the screwdriver as far as it will go.

5.3 Types of work

Observe the safety instructions and warnings in this documentation and on the product.

5.3.1 Driving screws

WARNING

Electrical hazards There is a risk of electric shock if a screw is driven into a concealed electric cable and, at the same time, the bit holder or depth gauge is touched.

- ▶ Hold the screwdriver only by the grip when driving or removing screws.

1. Set the screwdriver to forward rotation.
2. Position the screw on the bit and bring the tip of the screw into contact with the working surface.



The optimum screwdriving depth can be set by turning the depth gauge.

3. Use the control switch to regulate the speed of the screwdriver.

5.3.2 Removing screws

1. Pull the depth gauge off.
2. Set the screwdriver to reverse rotation.
3. Insert the bit in the head of the screw and use the control switch to regulate the speed of the screwdriver.
4. Refit the depth gauge after removing the screws.

5.3.3 Switching on in sustained operating mode

- ▶ Switch on in sustained operating mode.

5.3.4 Switching off after sustained operation

- ▶ Press the control switch.
 - ◀ The lockbutton returns to its original position.



5.3.5 Screwdriver / depth gauge interface

1. Pull the depth gauge away from the power tool, releasing the snap-on connection.
2. Pull the depth gauge forward, away from the power tool.

With the drive spindle exposed in this way, the following operations can be carried out:
 Removing screws (set to reverse rotation),
 changing bits,
 changing bit holders,
 changing to magazine operation,
 re-driving screws.

6 Care and maintenance

6.1 Care and maintenance

WARNING

Electric shock hazard! Attempting care and maintenance with the supply cord connected to a power outlet can lead to severe injury and burns.

- ▶ Always unplug the supply cord before carrying out care and maintenance tasks.

Care

- Carefully remove stubborn dirt from the tool.
- Clean the air vents carefully with a dry brush.
- Use only a slightly damp cloth to clean the casing. Do not use cleaning agents containing silicone as these can attack the plastic parts.

Maintenance

WARNING

Danger of electric shock! Improper repairs to electrical components may lead to serious injuries including burns.

- ▶ Repairs to the electrical section of the tool or appliance may be carried out only by trained electrical specialists.
- Check all visible parts and controls for signs of damage at regular intervals and make sure that they all function correctly.
- Do not operate the tool if signs of damage are found or if parts malfunction. Have the tool repaired by **Hilti Service** immediately.
- After cleaning and maintenance, refit all guards or protective devices and check that they function correctly.

7 Troubleshooting


If the trouble you are experiencing is not listed in this table or you are unable to remedy the problem by yourself, please contact **Hilti Service**.

Trouble or fault	Possible cause	Action to be taken
The screwdriver doesn't work and all four LEDs blink.	The overload cut-out has been activated.	▶ Release the control switch and then press it again. Reduce the load on the tool.
The control switch can't be pressed, i.e. the switch is locked.	The safety lock is engaged.	▶ Set the forward / reverse selector switch to forward or reverse rotation.
The screwdriver runs but the screw can't be driven.	The wrong direction of rotation is set.	▶ Use the forward / reverse selector switch to set the right direction of rotation.
The screwdriver gets very hot.	Electrical fault	▶ Switch off the screwdriver immediately and contact Hilti Service .



Trouble or fault	Possible cause	Action to be taken
The screwdriver gets very hot.	The screwdriver has been over-loaded by exceeding its application limits.	▶ Select a screwdriver with adequate performance for the application.

8 Disposal

 Most of the materials from which **Hilti** tools and appliances are manufactured can be recycled. The materials must be correctly separated before they can be recycled. In many countries, your old tools, machines or appliances can be returned to **Hilti** for recycling. Ask **Hilti** Service or your Hilti representative for further information.



- ▶ Do not dispose of power tools, electronic equipment or batteries as household waste!

9 Manufacturer's warranty

- ▶ Please contact your local **Hilti** representative if you have questions about the warranty conditions.



1 Indications relatives à la documentation

1.1 À propos de cette documentation

- Lire intégralement la présente documentation avant la mise en service. C'est la condition préalablement requise pour assurer la sécurité du travail et un maniement sans perturbations.
- Bien respecter les consignes de sécurité et les avertissements de la présente documentation ainsi que celles figurant sur le produit.
- Toujours conserver le mode d'emploi à proximité du produit et uniquement le transmettre à des tiers avec ce mode d'emploi.

1.2 Explication des symboles

1.2.1 Avertissements

Les avertissements attirent l'attention sur des dangers liés à l'utilisation du produit. Les termes de signalisation suivants sont utilisés :

DANGER

DANGER !

- ▶ Pour un danger imminent qui peut entraîner de graves blessures corporelles ou la mort.

AVERTISSEMENT

AVERTISSEMENT !

- ▶ Pour un danger potentiel qui peut entraîner de graves blessures corporelles ou la mort.

ATTENTION

ATTENTION !

- ▶ Pour attirer l'attention sur une situation pouvant présenter des dangers entraînant des blessures corporelles légères ou des dégâts matériels.

1.2.2 Symboles dans la documentation

Les symboles suivants sont utilisés dans la présente documentation :

	Lire le mode d'emploi avant d'utiliser l'appareil
	Pour des conseils d'utilisation et autres informations utiles
	Maniement des matériaux recyclables
	Ne pas jeter les appareils électriques et les accus dans les ordures ménagères

1.2.3 Symboles dans les illustrations

Les symboles suivants sont utilisés dans les illustrations :

	Ces chiffres renvoient à l'illustration correspondante au début du présent mode d'emploi
	La numérotation détermine la séquence des étapes de travail dans l'image et peut se différencier de celles des étapes de travail dans le texte
	Les numéros de position sont utilisés dans l'illustration Vue d'ensemble et renvoient aux numéros des légendes dans la section Vue d'ensemble du produit
	Ce signe doit inviter à manier le produit en faisant particulièrement attention.
	Transmission de données sans fil



1.3 Informations produit

Les produits Hilti sont conçus pour les utilisateurs professionnels et ne doivent être utilisés, entretenus et réparés que par un personnel agréé et formé à cet effet. Ce personnel doit être au courant des dangers inhérents à l'utilisation de l'appareil. Le produit et ses accessoires peuvent s'avérer dangereux s'ils sont utilisés de manière incorrecte par un personnel non qualifié ou de manière non conforme à l'usage prévu.

- Reporter la désignation et le numéro de série qui se trouvent sur la plaque signalétique dans le tableau suivant.
- ▶ Toujours fournir ces informations en cas de questions relatives au produit pour communiquer avec notre représentant ou agence Hilti.

Caractéristiques produit

Visseuse pour pose à sec :	SD 4500 SD 2500
Génération :	01
Numéro de série :	

1.4 Déclaration de conformité

Nous déclarons sous notre seule et unique responsabilité que le produit décrit ici est conforme aux directives et normes en vigueur. Une copie de l'attestation délivrée par l'organisme de certification se trouve en fin de la présente documentation.

Pour obtenir les documentations techniques, s'adresser à :

Hilti Entwicklungsgesellschaft mbH | Zulassung Geräte | Hiltistraße 6 | 86916 Kaufering, DE

2 Sécurité

2.1 Consignes de sécurité

Les indications de sécurité du chapitre suivant contiennent toutes les indications générales de sécurité pour les outils électriques qui, selon les normes applicables, doivent être spécifiées dans le présent mode d'emploi. Par conséquent, il est possible que certaines indications ne se rapportent pas à cet appareil.

2.1.1 Indications générales de sécurité pour les appareils électriques

⚠ AVERTISSEMENT Lire toutes les consignes de sécurité et instructions, illustrations et caractéristiques techniques, qui accompagnent cet outil électroportatif. Tout manquement à l'observation des instructions suivantes risque de provoquer une électrocution, un incendie et/ou de graves blessures.

Les consignes de sécurité et instructions doivent être intégralement conservées pour les utilisations futures.

La notion d'« outil électroportatif » mentionnée dans les consignes de sécurité se rapporte à des outils électriques raccordés au secteur (avec câble d'alimentation) et à des outils électriques sur accu (sans câble d'alimentation).

Sécurité sur le lieu de travail

- ▶ **Conserver la zone de travail propre et bien éclairée.** Un lieu de travail en désordre ou mal éclairé augmente le risque d'accidents.
- ▶ **Ne pas faire fonctionner les outils électriques en atmosphère explosive et où se trouvent des liquides, des gaz ou poussières inflammables.** Les outils électriques produisent des étincelles qui peuvent enflammer les poussières ou les fumées.
- ▶ **Maintenir les enfants et les personnes présentes à l'écart pendant l'utilisation de l'outil électroportatif.** En cas d'inattention il y a un risque de perdre le contrôle de l'appareil.

Sécurité relative au système électrique

- ▶ **La fiche de secteur de l'outil électroportatif doit être adaptée à la prise de courant. Ne jamais modifier la fiche de quelque façon que ce soit. Ne pas utiliser d'adaptateurs avec des outils électriques à branchement de terre.** Des fiches non modifiées et des prises de courant adaptées réduiront le risque de choc électrique.
- ▶ **Éviter le contact physique avec des surfaces mises à la terre tels que tuyaux, radiateurs, cuisinières et réfrigérateurs.** Il y a un risque élevé de choc électrique au cas où votre corps serait relié à la terre.
- ▶ **Ne pas exposer les outils électroportatifs à la pluie ou à l'humidité.** La pénétration d'eau à l'intérieur d'un outil électroportatif augmentera le risque d'un choc électrique.



- ▶ **Ne jamais utiliser le câble de raccordement à d'autres fins que celles prévues, telles que pour porter, accrocher ou débrancher l'outil électroportatif de la prise de courant. Maintenir le câble de raccordement à l'écart de la chaleur, des parties grasses, des bords tranchants ou des parties en mouvement.** Des câbles de raccordement endommagés ou emmêlés augmentent le risque de choc électrique.
- ▶ **Si l'outil électroportatif est utilisé à l'extérieur, utiliser uniquement des câbles de rallonge homologués pour les applications extérieures.** L'utilisation d'un câble de rallonge homologué pour les applications extérieures réduit le risque d'un choc électrique.
- ▶ **Si l'utilisation de l'outil électrique dans un environnement humide ne peut pas être évitée, utiliser un interrupteur de protection contre les courants de court-circuit.** L'utilisation d'un tel interrupteur de protection réduit le risque d'une décharge électrique.

Sécurité des personnes

- ▶ **Rester vigilant, surveiller ce que l'on fait. Faire preuve de bon sens en utilisant l'outil électroportatif. Ne pas utiliser l'outil électroportatif en étant fatigué ou sous l'emprise de l'alcool, de drogues ou de médicaments.** Un moment d'inattention lors de l'utilisation de l'outil électroportatif peut entraîner des blessures graves.
- ▶ **Utiliser un équipement de protection personnel et toujours porter une protection pour les yeux.** Les équipements de protection personnels tels que masque antipoussière, chaussures de sécurité antidérapantes, casque de protection ou protection acoustique suivant l'utilisation de l'outil électroportatif, réduiront le risque de blessures des personnes.
- ▶ **Éviter une mise en service par mégarde. S'assurer que l'outil électroportatif est arrêté avant de le brancher à la source de courant et/ou à l'accu, de le prendre ou de le porter.** Le fait de porter l'outil électroportatif avec le doigt sur l'interrupteur ou de brancher l'appareil sur la source de courant lorsque l'interrupteur est en position de fonctionnement peut entraîner des accidents.
- ▶ **Retirer tout outil de réglage ou toute clé avant de mettre l'outil électroportatif en fonctionnement.** Une clé ou un outil se trouvant sur une partie en rotation peut causer des blessures.
- ▶ **Adopter une bonne posture. Veiller à toujours garder une position stable et équilibrée.** Cela permet un meilleur contrôle de l'outil électroportatif dans des situations inattendues.
- ▶ **S'habiller de manière adaptée. Ne pas porter de vêtements amples ni de bijoux. Garder les cheveux, les vêtements et les gants à distance des parties en mouvement.** Des vêtements amples, des bijoux ou des cheveux longs peuvent être happés par des parties en mouvement.
- ▶ **Si des dispositifs servant à aspirer ou à recueillir les poussières doivent être utilisés, s'assurer qu'ils sont effectivement raccordés et correctement utilisés.** L'utilisation d'un dispositif d'aspiration de la poussière peut réduire les risques dus aux poussières.
- ▶ **Ne pas sous-estimer les mesures de sécurité à prendre et ne pas ignorer sciemment les règles de sécurité applicables aux outils électriques, même si l'on est utilisateur chevronné après de fréquentes utilisations de l'outil électroportatif.** Un manque d'attention peut conduire à de graves blessures en quelques fractions de seconde.

Utilisation et manientement de l'outil électroportatif

- ▶ **Ne pas forcer l'appareil. Utiliser l'outil électroportatif adapté au travail à effectuer.** Un outil électroportatif approprié réalisera mieux le travail et de manière plus sûre au régime pour lequel il a été conçu.
- ▶ **Ne pas utiliser d'outil électroportatif dont l'interrupteur est défectueux.** Tout outil électroportatif qui ne peut plus être mis en ou hors fonctionnement est dangereux et doit être réparé.
- ▶ **Débrancher la fiche de la prise de courant et/ou l'accu amovible avant d'effectuer des réglages sur l'appareil, de changer les accessoires, ou de ranger l'appareil.** Cette mesure de précaution empêche une mise en fonctionnement par mégarde de l'outil électroportatif.
- ▶ **Conserver les outils électroportatifs non utilisés hors de portée des enfants. Ne permettre l'utilisation de l'appareil à aucune personne qui ne soit pas familiarisée avec celui-ci ou qui n'a pas lu ces instructions.** Les outils électroportatifs sont dangereux lorsqu'ils sont entre les mains de personnes non initiées.
- ▶ **Prendre soin des outils électroportatifs et des accessoires. Vérifier que les parties en mouvement fonctionnent correctement et qu'elles ne sont pas coincées, et contrôler si des parties sont cassées ou endommagées de sorte que le bon fonctionnement de l'outil électroportatif s'en trouve entravé. Faire réparer les parties endommagées avant d'utiliser l'appareil.** De nombreux accidents sont dus à des outils électroportatifs mal entretenus.
- ▶ **Garder les outils de coupe affûtés et propres.** Des outils destinés à couper correctement entretenus avec des arêtes de coupe tranchantes sont moins susceptibles de bloquer et sont plus faciles à contrôler.
- ▶ **L'outil électroportatif, les accessoires, les outils amovibles, etc. doivent être utilisés conformément à ces instructions. Tenir également compte des conditions de travail et du travail à réaliser.**



L'utilisation des outils électroportatifs à d'autres fins que celles prévues peut entraîner des situations dangereuses.

- ▶ **Veiller à ce que les poignées et surfaces de préhension soient toujours être sèches, propres et exemptes de traces de graisse ou d'huile.** Avec des poignées et surfaces de préhension glissantes, la sécurité et le contrôle de l'outil électroportatif ne peuvent être assurés dans des situations inopinées.

Service

- ▶ **L'outil électroportatif doit uniquement être réparé par un personnel qualifié, utilisant exclusivement des pièces de rechange d'origine.** Ceci permet d'assurer la sécurité de l'outil électroportatif.

2.1.2 Consignes de sécurité pour visseuse

- ▶ **Tenir l'outil électroportatif par les surfaces isolées des poignées lors des travaux pendant lesquels la vis risque de toucher des câbles électriques cachés ou son propre cordon d'alimentation.** Le contact de la vis avec un câble conducteur risque aussi de mettre les parties métalliques de l'appareil sous tension et de provoquer une décharge électrique.

2.1.3 Consignes de sécurité supplémentaires

Sécurité des personnes

- ▶ Utiliser le produit uniquement s'il est en parfait état.
- ▶ Ne jamais entreprendre de manipulation ou de modification sur l'appareil.
- ▶ Lors de travaux d'ajourage, protéger l'espace du côté opposé aux travaux. Des morceaux de matériaux risquent d'être éjectés et / ou de tomber, et de blesser d'autres personnes.
- ▶ Toujours tenir l'appareil des deux mains par les poignées prévues à cet effet. Tenir les poignées toujours sèches et propres.
- ▶ Éviter de toucher des pièces en rotation – Risque de blessures !
- ▶ Lors de l'utilisation de l'appareil, porter des lunettes de protection adéquates, un casque de protection, un casque antibruit, des gants de protection et un masque respiratoire léger.
- ▶ Pour changer d'outil, pour stocker ou transporter l'appareil électrique, toujours activer le dispositif de blocage de l'interrupteur Marche / Arrêt.
- ▶ Porter aussi des gants de protection pour changer d'outil. Risque de blessures par coupure et de brûlures au contact avec l'outil amovible.
- ▶ Porter des lunettes de protection. Les éclats de matière peuvent entraîner des blessures corporelles et aux yeux.
- ▶ Avant le début du travail, prendre connaissance de la classe de risque de la poussière générée lors des travaux. Utiliser un aspirateur avec une classification de sécurité autorisée officiellement et conforme aux dispositions locales concernant les poussières.
- ▶ Dans la mesure du possible, utiliser un dispositif d'aspiration des poussières ainsi qu'un dépoussiéreur mobile adéquat. Les poussières de matériaux telles que des peintures contenant du plomb, certains types de bois, du béton / de la maçonnerie / des pierres naturelles qui contiennent du quartz ainsi que des minéraux et des métaux peuvent être nuisibles à la santé.
- ▶ Veiller à ce que le poste de travail soit bien ventilé et porter, le cas échéant, un masque de protection respiratoire adapté au type de poussières. Le contact ou l'aspiration de poussière peut provoquer des réactions allergiques et/ou des maladies respiratoires de l'utilisateur ou de toute personne se trouvant à proximité. Certaines poussières, telles que des poussières de chêne ou de hêtre, sont réputées être cancérogènes, en particulier lorsqu'elles sont combinées à des additifs destinés au traitement du bois (chromate, produit de protection du bois). Les matériaux contenant de l'amiante doivent seulement être manipulés par un personnel spécialisé.
- ▶ Faire régulièrement des pauses et des exercices pour favoriser l'irrigation sanguine dans les doigts. En cas de travaux prolongés, les vibrations peuvent perturber la circulation dans les vaisseaux sanguins ou le système nerveux dans les doigts, les mains ou le poignet.

Sécurité relative au système électrique

- ▶ Avant d'entamer le travail, vérifier qu'il n'y a pas de câbles ou gaines électriques, tuyaux de gaz ou d'eau cachés dans la zone d'intervention. Toutes pièces métalliques extérieures de l'appareil sont susceptibles de provoquer une décharge électrique si un câble électrique est endommagé par inadvertance.

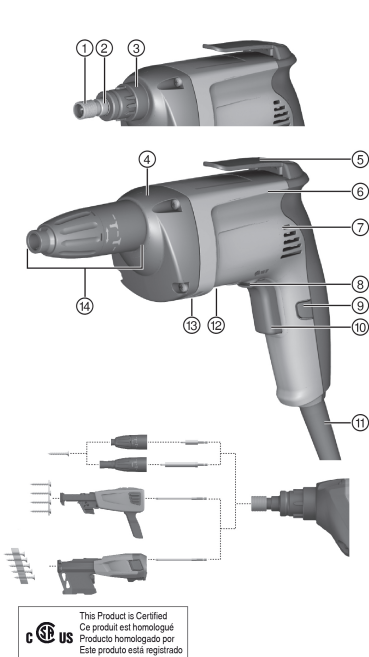
Utilisation et emploi soigneux de l'outil électroportatif

- ▶ Bien fixer la pièce. Il est plus sûr de tenir une pièce à travailler maintenue à l'aide d'un dispositif de serrage ou d'un étai qu'à la main.
- ▶ Arrêter immédiatement l'outil électroportatif si l'outil se bloque. L'appareil peut dévier latéralement.
- ▶ Attendre jusqu'à ce que l'outil électroportatif soit arrêté avant de le déposer.



3 Description

3.1 Vue d'ensemble du produit



- ① Porte-embout
- ② Mandrin
- ③ Interface appareil / accessoires (assemblage à encliquetage)
- ④ Système d'embrayage / engrenage
- ⑤ Patte d'accrochage à la ceinture
- ⑥ Moteur
- ⑦ Prise d'air
- ⑧ Inverseur du sens de rotation droite / gauche
- ⑨ Bouton de blocage pour marche continue
- ⑩ Interrupteur Marche / Arrêt
- ⑪ Câble d'alimentation réseau
- ⑫ Plaque signalétique
- ⑬ Sortie d'air
- ⑭ Butée de profondeur



3.2 Utilisation conforme à l'usage prévu

Le produit décrit est un appareil électrique manuel alimenté sur secteur, destiné à un usage pour pose à sec. L'appareil est destiné au serrage et au desserrage de vis dans des matériaux appropriés à la pose à sec. Il convient d'utiliser des vis pour pose à sec allant jusqu'à 4,2 mm de diamètre et 55 mm de longueur. Ne pas travailler sur des matériaux susceptibles de nuire à la santé (par ex. amiante).

3.3 Éléments livrés

Visseuse pour pose à sec, mode d'emploi



D'autres produits système autorisés pour votre produit peuvent être obtenus auprès du S.A.V. Hilti ou en ligne sous : www.hilti.com.

4 Caractéristiques techniques

4.1 Caractéristiques techniques

	SD 4500	SD 2500
Courant nominal	6,5 A	3,3 A
Poids	1,4 kg (3,1 lb)	1,5 kg (3,3 lb)
Vitesse de rotation à vide de référence	0 tr/min ... 4.500 tr/min	0 tr/min ... 2.500 tr/min
Couple max. prescrit	9,5 Nm	19 Nm
Mandrin	Hexagonal int. 1/4"	Hexagonal int. 1/4"



2021357

Français

13

5 Utilisation

5.1 Préparatifs

ATTENTION

Risque de blessures ! Mise en marche inopinée du produit.

- ▶ Retirer la fiche de la prise avant d'effectuer des réglages sur l'appareil ou de changer les accessoires.

Bien respecter les consignes de sécurité et les avertissements de la présente documentation ainsi que celles figurant sur le produit.

5.1.1 Travail en toute sécurité avec le crochet universel

- ▶ Avant de commencer le travail, s'assurer que le crochet universel est bien attaché à la visseuse.
- ▶ Lorsqu'elle n'est pas utilisée pendant un temps prolongé, déposer la visseuse en toute sécurité.

5.1.2 Sens de rotation droite/gauche



Dans la position médiane, l'interrupteur de commande est bloqué (blocage anti-démarrage).

- ▶ Mettre l'inverseur du sens de rotation droite / gauche sur la rotation vers la droite ou vers la gauche.

5.2 Remplacement de l'outil à emmancher

1. Tirer la butée de profondeur et desserrer l'assemblage à encliquetage.
2. Appuyer le mandrin contre la visseuse en tournant légèrement et le maintenir dans cette position.
3. De l'autre main, retirer l'outil à emmancher.
4. Insérer l'outil à emmancher souhaité dans le mandrin et appuyer jusqu'en butée contre la visseuse.

5.3 Travail

Bien respecter les consignes de sécurité et les avertissements de la présente documentation ainsi que celles figurant sur le produit.

5.3.1 Pose de vis

AVERTISSEMENT

Danger d'électrocution ! Il y a risque de décharge électrique si lors de la pose de vis, des câbles ou gaines électriques cachés sont touchés en même temps que l'utilisateur touche le porte-embout ou la butée de profondeur.

- ▶ Pour visser et dévisser des vis, tenir la visseuse exclusivement par la poignée.

1. Régler la visseuse sur rotation droite.
2. Poser la vis sur l'embout et placer la vis sur le matériau support.



Tourner la butée de profondeur pour régler la profondeur de vissage optimale.

3. Ajuster la vitesse de rotation à l'aide de la touche de commande.

5.3.2 Desserrage de vis

1. Retirer la butée de profondeur.
2. Régler la visseuse sur rotation gauche.
3. Poser la visseuse avec l'embout sur la vis et ajuster la vitesse de rotation à l'aide de la touche de commande.
4. Après avoir dévissé les vis, réinsérer à nouveau la butée de profondeur sur l'appareil.

5.3.3 Enclenchement du fonctionnement en continu

- ▶ Activer le mode de fonctionnement en continu.




5.3.4 Arrêt du fonctionnement en continu

- ▶ Appuyer sur le variateur électronique de vitesse.
 - ◀ Le bouton de blocage revient en position initiale.

5.3.5 Interface appareil et butée de profondeur

1. Tirer la butée de profondeur et desserrer l'assemblage à encliquetage.
2. Enlever la butée de profondeur vers l'avant de l'appareil.

 Lorsque la broche est libérée, il est possible de :

- dévisser une vis vissée placée en rotation gauche,
- remplacer des embouts,
- remplacer les porte-embouts,
- passer au mode chargeur,
- reposer des vis.

6 Nettoyage et entretien

6.1 Nettoyage et entretien

AVERTISSEMENT

Danger d'électrocution ! Les travaux de nettoyage et d'entretien effectués avec fiche branchée à la prise peuvent entraîner de graves blessures ou brûlures.

- ▶ Toujours retirer la fiche de la prise avant tous travaux de nettoyage et d'entretien !

Nettoyage

- Éliminer prudemment les saletés récalcitrantes.
- Nettoyer les ouïes d'aération avec précaution au moyen d'une brosse sèche.
- Nettoyer le boîtier uniquement avec un chiffon légèrement humidifié. Ne pas utiliser de nettoyeurs à base de silicone, ceci pourrait attaquer les pièces en plastique.


Entretien

AVERTISSEMENT

Risque d'électrocution ! Des réparations inappropriées sur des composants électriques peuvent entraîner de graves blessures corporelles et brûlures.

- ▶ Toute réparation des pièces électriques ne doit être effectuée que par un électricien qualifié.
- Vérifier régulièrement qu'aucune pièce visible n'est endommagée et que les organes de commande sont parfaitement opérationnels.
- En cas d'endommagements et/ou de dysfonctionnements, ne pas utiliser l'appareil. Le faire immédiatement réparer par le S.A.V. **Hilti**.
- Après des travaux de nettoyage et d'entretien, vérifier si tous les équipements de protection sont bien en place et fonctionnent parfaitement.

7 Aide au dépannage


 En cas de défaillances non énumérées dans ce tableau ou auxquelles il n'est pas possible de remédier sans aide, contacter le S.A.V. **Hilti**.

Défaillance	Causes possibles	Solution
La visseuse ne fonctionne pas et quatre LED clignotent.	La protection électronique contre les surcharges réagit.	▶ Relâcher le variateur électronique de vitesse et l'actionner à nouveau. Réduire la charge.
Impossible d'enfoncer le variateur électronique de vitesse ou le variateur est bloqué.	Dispositif de blocage de l'interrupteur activé.	▶ Mettre l'inverseur du sens de rotation droite / gauche sur la rotation vers la droite ou vers la gauche.



Défaillance	Causes possibles	Solution
Impossible de procéder au vissage, bien que la visseuse fonctionne.	Sens de rotation erroné.	► Régler le sens de rotation qui convient à l'aide de l'inverseur du sens de rotation droite / gauche.
Fort dégagement de chaleur dans la visseuse.	Défaut électrique	► Arrêter immédiatement la visseuse et informer le S.A.V. Hilti .
	Limite d'application dépassée, la visseuse est surchargée.	► Choisir une visseuse adaptée aux exigences de l'application.

8 Recyclage

 Les appareils **Hilti** sont fabriqués pour une grande partie en matériaux recyclables. Le recyclage présuppose un tri adéquat des matériaux. **Hilti** reprend les appareils usagés dans de nombreux pays en vue de leur recyclage. Consulter le service clients **Hilti** ou un conseiller commercial.



- Ne pas jeter les appareils électriques, électroniques et accus dans les ordures ménagères !

9 Garantie constructeur

- En cas de questions sur les conditions de garantie, veuillez vous adresser à votre partenaire **Hilti** local.



1 Información sobre la documentación

1.1 Acerca de esta documentación

- Lea detenidamente esta documentación antes de la puesta en servicio. Ello es imprescindible para un trabajo seguro y un manejo sin problemas.
- Respete las indicaciones de seguridad y las advertencias presentes en esta documentación y en el producto.
- Conserve este manual de instrucciones siempre junto con el producto y entregue el producto a otras personas siempre acompañado del manual.

1.2 Explicación de símbolos

1.2.1 Avisos

Las advertencias de seguridad advierten de peligros derivados del manejo del producto. Se utilizan las siguientes palabras de peligro:



PELIGRO

PELIGRO !

- ▶ Término utilizado para un peligro inminente que puede ocasionar lesiones graves o incluso la muerte.



ADVERTENCIA

ADVERTENCIA !

- ▶ Término utilizado para un posible peligro que puede ocasionar lesiones graves o incluso la muerte.



PRECAUCIÓN

PRECAUCIÓN !

- ▶ Término utilizado para una posible situación peligrosa que puede ocasionar lesiones leves o daños materiales.

1.2.2 Símbolos en la documentación

En esta documentación se utilizan los siguientes símbolos:

	Leer el manual de instrucciones antes del uso
	Indicaciones de uso y demás información de interés
	Manejo con materiales reutilizables
	No tirar las herramientas eléctricas y las baterías junto con los desperdicios domésticos

1.2.3 Símbolos en las figuras

En las figuras se utilizan los siguientes símbolos:

	Estos números hacen referencia a la figura correspondiente incluida al principio de este manual
	La numeración describe el orden de los pasos de trabajo en la imagen y puede ser diferente de los pasos descritos en el texto
	Los números de posición se utilizan en la figura Vista general y los números de la leyenda están explicados en el apartado Vista general del producto
	Preste especial atención a este símbolo cuando utilice el producto.
	Transferencia de datos inalámbrica



1.3 Información del producto

Los productos Hilti han sido diseñados para usuarios profesionales y solo deben ser manejados, conservados y reparados por personal autorizado y debidamente formado. Este personal debe estar especialmente instruido en lo referente a los riesgos de uso. La utilización del producto y sus dispositivos auxiliares puede conllevar riesgos para el usuario en caso de manejarse de forma inadecuada por personal no cualificado o utilizarse para usos diferentes a los que están destinados.

- Anote en la siguiente tabla la denominación y el número de serie que figuran en la placa de identificación.
- ▶ Mencione estos datos siempre que realice alguna consulta acerca del producto a nuestros representantes o al Servicio Técnico.

Datos del producto

Atornilladora para tabique seco:	SD 4500 SD 2500
Generación:	01
Número de serie:	

1.4 Declaración de conformidad

Bajo nuestra exclusiva responsabilidad, declaramos que el producto aquí descrito cumple con las directivas y normas vigentes. Encontrará una reproducción del organismo certificador al final de esta documentación. La documentación técnica se encuentra depositada aquí:

Hilti Entwicklungsgesellschaft mbH | Zulassung Geräte | Hiltistraße 6 | 86916 Kaufering, DE

2 Seguridad

2.1 Indicaciones de seguridad

Las indicaciones de seguridad que se describen en el siguiente capítulo incluyen todas las indicaciones de seguridad generales para herramientas eléctricas que se deben especificar en el manual de instrucciones conforme a la normativa aplicable. Por consiguiente, pueden incluirse indicaciones que no sean relevantes para esta herramienta.

2.1.1 Indicaciones generales de seguridad para herramientas eléctricas

⚠ ADVERTENCIA Lea con atención todas las indicaciones de seguridad, instrucciones, ilustraciones y datos técnicos correspondientes a esta herramienta eléctrica. La negligencia en el cumplimiento de las instrucciones que se describen a continuación podría provocar descargas eléctricas, incendios o lesiones graves.

Conserve todas las instrucciones e indicaciones de seguridad para futuras consultas.

El término «herramienta eléctrica» empleado en las indicaciones de seguridad se refiere a herramientas eléctricas portátiles, ya sea con cable de red o sin cable, en caso de ser accionadas por batería.

Seguridad en el puesto de trabajo

- ▶ **Mantenga su área de trabajo limpia y bien iluminada.** El desorden o una iluminación deficiente de las zonas de trabajo pueden provocar accidentes.
- ▶ **No utilice la herramienta eléctrica en un entorno con peligro de explosión en el que se encuentren líquidos, gases o polvos inflamables.** Las herramientas eléctricas producen chispas que pueden llegar a inflamar los materiales en polvo o vapores.
- ▶ **Mantenga alejados a los niños y otras personas de su puesto de trabajo al emplear la herramienta eléctrica.** Una distracción le puede hacer perder el control sobre la herramienta.

Seguridad eléctrica

- ▶ **El enchufe de la herramienta eléctrica debe corresponder a la toma de corriente utilizada. No se deberá modificar el enchufe en forma alguna. No utilice enchufes adaptadores para las herramientas eléctricas con puesta a tierra.** Los enchufes sin modificar adecuados a las respectivas tomas de corriente reducen el riesgo de descarga eléctrica.
- ▶ **Evite el contacto corporal con superficies que tengan puesta a tierra, como pueden ser tubos, calefacciones, cocinas y frigoríficos.** El riesgo a quedar expuesto a una sacudida eléctrica es mayor si su cuerpo tiene contacto con tierra.
- ▶ **No exponga las herramientas eléctricas a la lluvia y evite que penetren líquidos en su interior.** El riesgo de recibir descargas eléctricas aumenta si penetra agua en la herramienta eléctrica.



- ▶ **No utilice el cable de conexión para transportar o colgar la herramienta eléctrica ni tire de él para extraer el enchufe de la toma de corriente. Mantenga el cable de conexión alejado de fuentes de calor, aceite, aristas afiladas o piezas móviles.** Los cables de conexión dañados o enredados pueden provocar descargas eléctricas.
- ▶ **Cuando trabaje al aire libre con una herramienta eléctrica, utilice exclusivamente un alargador adecuado para exteriores.** La utilización de un alargador adecuado para su uso en exteriores evita el riesgo de una descarga eléctrica.
- ▶ **Cuando no pueda evitarse el uso de la herramienta eléctrica en un entorno húmedo, utilice un interruptor de corriente de defecto.** La utilización de un interruptor de corriente de defecto evita el riesgo de una descarga eléctrica.

Seguridad de las personas

- ▶ **Permanezca atento, preste atención durante el trabajo y utilice la herramienta eléctrica con prudencia. No utilice una herramienta eléctrica si está cansado, ni tampoco después de haber consumido alcohol, drogas o medicamentos.** Un momento de descuido al utilizar la herramienta eléctrica podría producir graves lesiones.
- ▶ **Utilice el equipo de seguridad personal adecuado y lleve siempre gafas protectoras.** El riesgo de lesiones se reduce considerablemente si, según el tipo y la aplicación de la herramienta eléctrica empleada, se utiliza un equipo de seguridad personal adecuado como una mascarilla antipolvo, zapatos de seguridad con suela antideslizante, casco de protección o protección para los oídos.
- ▶ **Evite una puesta en servicio fortuita de la herramienta. Asegúrese de que la herramienta eléctrica está apagada antes de alzarla, transportarla, conectarla a la toma de corriente o insertar la batería.** Si transporta la herramienta eléctrica sujetándola por el interruptor de conexión/desconexión o si introduce el enchufe en la toma de corriente con la herramienta conectada, podría producirse un accidente.
- ▶ **Retire las herramientas de ajuste o llaves fijas antes de conectar la herramienta eléctrica.** Una herramienta o llave colocada en una pieza giratoria puede producir lesiones al ponerse en funcionamiento.
- ▶ **Evite adoptar posturas forzadas. Procure que la postura sea estable y manténgase siempre en equilibrio.** De esta forma podrá controlar mejor la herramienta eléctrica en caso de presentarse una situación inesperada.
- ▶ **Utilice ropa adecuada. No utilice vestimenta amplia ni joyas. Mantenga su pelo, vestimenta y guantes alejados de las piezas móviles.** La vestimenta suelta, las joyas y el pelo largo se pueden enganchar con las piezas en movimiento.
- ▶ **Siempre que sea posible montar equipos de aspiración o captación de polvo, asegúrese de que están conectados y de que se utilizan correctamente.** El uso de un sistema de aspiración de polvo reduce los riesgos derivados del polvo.
- ▶ **No se crea a salvo de cualquier riesgo ni pase por alto ninguna de las normas de seguridad relativas a las herramientas eléctricas, aun cuando esté familiarizado con la herramienta eléctrica y tenga larga experiencia en su uso.** Una actuación negligente puede provocar lesiones graves en cuestión de segundos.

Uso y manejo de la herramienta eléctrica

- ▶ **No sobrecargue la herramienta. Utilice la herramienta eléctrica adecuada para el trabajo que se dispone a realizar.** Con la herramienta eléctrica apropiada podrá trabajar mejor y de modo más seguro dentro del margen de potencia indicado.
- ▶ **No utilice herramientas eléctricas con el interruptor defectuoso.** Las herramientas eléctricas que no se puedan conectar o desconectar son peligrosas y deben repararse.
- ▶ **Extraiga el enchufe de la toma de corriente o retire la batería extraíble antes de efectuar cualquier ajuste en la herramienta, cambiar accesorios o en caso de no utilizar la herramienta durante un tiempo prolongado.** Esta medida preventiva evita el riesgo de arranque accidental de la herramienta eléctrica.
- ▶ **Guarde las herramientas eléctricas que no utilice fuera del alcance de los niños. No permita utilizar la herramienta a ninguna persona que no esté familiarizada con ella o que no haya leído este manual de instrucciones.** Las herramientas eléctricas utilizadas por personas inexpertas son peligrosas.
- ▶ **Cuide su herramienta eléctrica y los accesorios adecuadamente. Compruebe si las piezas móviles de la herramienta funcionan correctamente y sin atascarse, y si existen piezas rotas o deterioradas que pudieran afectar al funcionamiento de la herramienta eléctrica. Encargue la reparación de las piezas defectuosas antes de usar la herramienta eléctrica.** Muchos accidentes son consecuencia de un mantenimiento inadecuado de la herramienta eléctrica.
- ▶ **Mantenga los útiles limpios y afilados.** Las herramientas de corte bien cuidadas y con aristas afiladas se atascan menos y se guían con más facilidad.



- ▶ **Utilice la herramienta eléctrica, los accesorios, útiles de inserción, etc., de acuerdo con estas instrucciones. Para ello, tenga en cuenta las condiciones de trabajo y la tarea que se va a realizar.** El uso de herramientas eléctricas para trabajos diferentes de aquellos para los que han sido concebidas puede resultar peligroso.
- ▶ **Mantenga las empuñaduras y las superficies de contacto secas, limpias y sin residuos de aceite o grasa.** Las empuñaduras y superficies de contacto resbaladizas impiden manejar y controlar la herramienta eléctrica con seguridad en situaciones imprevistas.

Servicio Técnico

- ▶ **Solicite que un profesional lleve a cabo la reparación de su herramienta eléctrica y que utilice exclusivamente piezas de repuesto originales.** Solamente así se garantiza la seguridad de la herramienta eléctrica.

2.1.2 Indicaciones de seguridad para la atornilladora

- ▶ **Sujete la herramienta eléctrica por las empuñaduras aisladas cuando realice trabajos en los que el tornillo pueda entrar en contacto con cables eléctricos ocultos o con el propio cable de conexión de la herramienta.** El contacto del tornillo con los cables conductores puede traspasar la conductividad a las partes metálicas de la herramienta y producir descargas eléctricas.

2.1.3 Indicaciones de seguridad adicionales

Seguridad de las personas

- ▶ Utilice el producto solo si está en perfecto estado técnico.
- ▶ Nunca efectúe manipulaciones o modificaciones en la herramienta.
- ▶ Durante el proceso de taladrado, proteja la zona opuesta al lugar donde se realiza el trabajo, ya que pueden desprenderse cascotes y causar heridas a otras personas.
- ▶ Sujete siempre la herramienta con ambas manos por las empuñaduras previstas. Mantenga las empuñaduras secas y limpias.
- ▶ Evite tocar las piezas en movimiento. Existe riesgo de lesiones.
- ▶ Durante el uso de la herramienta, lleve gafas protectoras adecuadas, casco de protección, protección para los oídos, guantes de protección y una mascarilla ligera.
- ▶ Active siempre el bloqueo de conexión antes de proceder a un cambio de útil, al almacenamiento o al transporte de la herramienta eléctrica.
- ▶ Para cambiar el útil, utilice también guantes de protección. El contacto con el útil de inserción puede producir cortes y quemaduras.
- ▶ Utilice protección para los ojos. El material que sale disparado puede ocasionar lesiones en los ojos y en el cuerpo.
- ▶ Antes de iniciar el trabajo, consulte la clase de peligros derivados del polvo resultante del trabajo. Utilice un aspirador de obra con una clasificación de protección homologada conforme a las normas locales sobre la protección contra el polvo.
- ▶ A ser posible, utilice un sistema de aspiración de polvo y un aspirador de polvo portátil apropiado. El polvo procedente de materiales como pinturas con plomo, determinadas maderas, hormigón/mampostería/tocas con cuarzo, así como minerales y metal puede ser nocivo para la salud.
- ▶ Procure una buena ventilación en el lugar de trabajo y utilice en caso necesario una mascarilla adecuada para cada clase de polvo. El contacto con el polvo o su inhalación puede provocar reacciones alérgicas o asfixia al usuario o a personas que se encuentren en su entorno. Existen determinados tipos de polvo, como puede ser el de roble o el de haya, catalogados como cancerígenos, especialmente si se encuentra mezclado con aditivos usados en el tratamiento de la madera (cromato, agente protector para la madera). Únicamente expertos cualificados están autorizados a manipular materiales que contengan asbesto.
- ▶ Efectúe pausas durante el trabajo, así como ejercicios de los dedos para mejorar la circulación. En el caso de trabajos de larga duración, las vibraciones pueden causar alteraciones en el sistema nervioso o en los vasos sanguíneos de los dedos, las manos u otras articulaciones de las manos.

Seguridad eléctrica

- ▶ Antes de empezar a trabajar, compruebe si la zona de trabajo oculta cables eléctricos, tuberías de gas o cañerías de agua. Las partes metálicas exteriores de la herramienta pueden provocar una descarga eléctrica si se daña por error un cable eléctrico.

Manipulación y utilización segura de las herramientas eléctricas

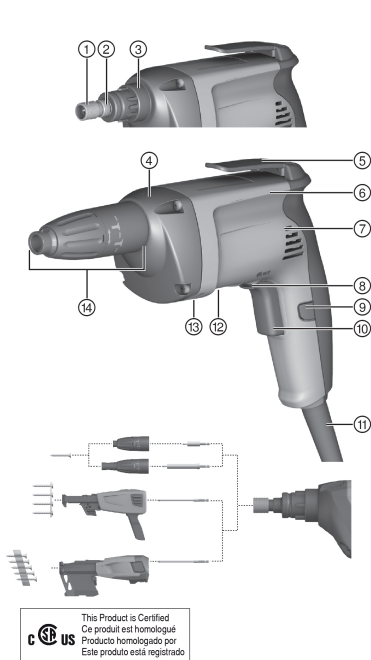
- ▶ Fije la pieza de trabajo. Las piezas de trabajo se sujetan de forma más segura mediante un dispositivo de sujeción o un tornillo de banco que sujetándolas solo con la mano.



- ▶ Desconecte inmediatamente la herramienta eléctrica si se bloquea el útil. La herramienta se puede desviar lateralmente.
- ▶ Espere hasta que la herramienta eléctrica se haya detenido antes de dejarla en ninguna superficie.

3 Descripción

3.1 Vista general del producto 1



- ① Soporte para puntas
- ② Portaútiles
- ③ Interfaz de la herramienta/accesorios (conexión rápida)
- ④ Sistema de acoplamiento/engranaje
- ⑤ Colgador de cinturón
- ⑥ Motor
- ⑦ Entrada de aire
- ⑧ Conmutador de giro a la derecha/izquierda
- ⑨ Botón de fijación para marcha continua
- ⑩ Interruptor de conexión/desconexión
- ⑪ Cable de red
- ⑫ Placa de identificación
- ⑬ Salida de aire
- ⑭ Tope de profundidad

3.2 Uso conforme a las prescripciones

El producto descrito es una herramienta eléctrica de guiado manual accionada con tensión de alimentación y diseñada para su aplicación profesionales en construcciones en seco.

Esta herramienta ha sido diseñada para el atornillado y desatornillado de tornillos en los materiales correspondientes a la construcción en seco. Deben emplearse tornillos para tabique seco de hasta 4,2 mm de diámetro y hasta 55 mm de longitud.

No deben tratarse materiales nocivos para la salud (p. ej., amianto).

3.3 Suministro

Atornilladora para tabique seco, manual de instrucciones



Encontrará otros productos del sistema autorizados para su producto en su Centro **Hilti** o en internet, en www.hilti.com.



4 Datos técnicos

4.1 Datos técnicos

	SD 4500	SD 2500
Intensidad nominal	6,5 A	3,3 A
Peso	1,4 kg (3,1 lb)	1,5 kg (3,3 lb)
Revoluciones nominales en vacío	0 rpm ... 4.500 rpm	0 rpm ... 2.500 rpm
Par de giro máx.	9,5 Nm	19 Nm
Portátiles	Hexágono interior $\frac{1}{4}$ "	Hexágono interior $\frac{1}{4}$ "

5 Manejo

5.1 Preparación del trabajo

PRECAUCIÓN

Riesgo de lesiones. Arranque involuntario del producto.

- ▶ Extraiga el enchufe de red antes de realizar ajustes en la herramienta o de cambiar accesorios.

Respete las indicaciones de seguridad y las advertencias presentes en esta documentación y en el producto.

5.1.1 Trabajo seguro con el gancho universal

- ▶ Antes de iniciar el trabajo, asegúrese de que el gancho universal esté fijado con seguridad a la atornilladora.
- ▶ Si no va a utilizar la atornilladora durante un largo período de tiempo, deposítela en un lugar seguro.

5.1.2 Giro derecha/izquierda



En la posición central, el conmutador de control está bloqueado (bloqueo de conexión).

- ▶ Sitúe el conmutador de giro a la derecha/izquierda en giro a la derecha o izquierda.

5.2 Cambio del útil insertable

1. Tire del tope de profundidad y suelte la conexión rápida.
2. Presione el portaútiles girándolo ligeramente hacia la atornilladora y mantenga esta posición.
3. Con la otra mano, extraiga el útil insertable.
4. Coloque el útil insertable deseado en el portaútiles y presiónelo hasta el tope contra la atornilladora.

5.3 Procedimiento de trabajo

Respete las indicaciones de seguridad y las advertencias presentes en esta documentación y en el producto.

5.3.1 Atornillado de tornillos

ADVERTENCIA

Peligro por corriente eléctrica Existe peligro de descarga eléctrica si al colocar los tornillos se alcanzan cables ocultos y al mismo tiempo se tiene contacto con el soporte para puntas o el tope de profundidad.

- ▶ Sujete la atornilladora únicamente por la empuñadura para colocar y extraer tornillos.

1. Ajuste la atornilladora en giro a la derecha.
2. Coloque el tornillo en la punta y sitúe el tornillo en la superficie de trabajo.



Girando el tope de profundidad puede ajustarse la profundidad de atornillado óptima.

3. Regule la velocidad con el conmutador de control.



5.3.2 Extracción de tornillos

1. Desmonte el tope de profundidad.
2. Ajuste la atornilladora en giro a la izquierda.
3. Coloque la punta insertada en la atornilladora sobre el tornillo y regule la velocidad con el conmutador de control.
4. Vuelva a montar el tope de profundidad una vez haya extraído los tornillos.

5.3.3 Conexión de la marcha continua

- ▶ Conecte la marcha continua.

5.3.4 Desconexión de la marcha continua

- ▶ Pulse el conmutador de control.
 - ◀ El botón de fijación regresa a su posición inicial.

5.3.5 Interfaz de la herramienta y tope de profundidad

1. Tire del tope de profundidad y suelte la conexión rápida.
2. Tire del tope de profundidad hacia delante desde la herramienta.



Con el husillo libre puede efectuar las siguientes aplicaciones:
 extraer un tornillo desplazado girando hacia la izquierda;
 cambiar las puntas;
 cambiar los soportes para puntas;
 cambiar a funcionamiento con cargador;
 recolocar tornillos.

6 Cuidado y mantenimiento

6.1 Cuidado y mantenimiento



ADVERTENCIA

Peligro de descarga eléctrica. La realización de tareas de cuidado y mantenimiento con el enchufe conectado a la toma de corriente de puede provocar lesiones y quemaduras graves.

- ▶ Extraiga siempre el enchufe de la toma de corriente antes de realizar cualquier tarea de cuidado y mantenimiento.

Cuidado

- Retire con cuidado la suciedad fuertemente adherida.
- Limpie cuidadosamente las rejillas de ventilación con un cepillo seco.
- Limpie la carcasa utilizando únicamente un paño ligeramente humedecido. No utilice limpiadores que contengan silicona, ya que podría afectar a las piezas de plástico.

Mantenimiento



ADVERTENCIA

Riesgo de descarga eléctrica. Las reparaciones indebidas en componentes eléctricos pueden producir lesiones graves y quemaduras.

- ▶ Las reparaciones de la parte eléctrica sólo puede llevarlas a cabo un técnico electricista cualificado.
- Compruebe con regularidad que las piezas visibles no estén dañadas y que los elementos de manejo funcionen correctamente.
- No utilice la herramienta si presenta daños o fallos que afecten al funcionamiento. Llévela de inmediato al Servicio Técnico de Hilti para su reparación.
- Coloque todos los dispositivos de protección después de las tareas de cuidado y mantenimiento, y compruebe su correcto funcionamiento.

7 Ayuda en caso de averías



Si se producen averías que no estén incluidas en esta tabla o que no pueda solucionar usted, dirijase al Servicio Técnico de Hilti.



Anomalia	Posible causa	Solución
La atornilladora no funciona y parpadean los cuatro LED.	Se activa la protección contra sobrecarga.	► Suelte el conmutador de control y vuélvalo a accionar. Reduzca la carga.
El conmutador de control no se puede pulsar o está bloqueado.	Bloqueo de conexión activado.	► Sitúe el conmutador de giro a la derecha/izquierda en giro a la derecha o izquierda.
No se puede mover el tornillo aunque la atornilladora está en funcionamiento.	Se ha ajustado un sentido de giro incorrecto.	► Ajuste el sentido de giro correcto con el conmutador derecha/izquierda.
Calentamiento considerable de la atornilladora.	Error en el sistema eléctrico.	► Desconecte la atornilladora inmediatamente y contacte con el Servicio Técnico de Hilti .
	La atornilladora se ha sobrecargado porque se han superado los límites de aplicación.	► Elija una atornilladora adecuada a los requisitos de la aplicación.

8 Reciclaje

Las herramientas **Hilti** están fabricadas en su mayor parte con materiales reutilizables. La condición para dicha reutilización es una separación adecuada de los materiales. En muchos países, **Hilti** recoge las herramientas usadas para su recuperación. Pregunte en el Servicio de Atención al Cliente de **Hilti** o a su asesor de ventas.



- No deseche las herramientas eléctricas, los aparatos eléctricos ni las baterías junto con los residuos domésticos.

9 Garantía del fabricante

- Si tiene alguna consulta acerca de las condiciones de la garantía, póngase en contacto con su sucursal local de **Hilti**.



1 Indicações sobre a documentação

1.1 Sobre esta documentação

- Antes da colocação em funcionamento, leia esta documentação. Esta é a condição para um trabalho seguro e um manuseamento sem problemas.
- Tenha em atenção as instruções de segurança e as advertências nesta documentação e no produto.
- Guarde o manual de instruções sempre junto do produto e entregue-o a outras pessoas apenas juntamente com este manual.

1.2 Explicação dos símbolos

1.2.1 Advertências

As advertências alertam para perigos durante a utilização do produto. São utilizadas as seguintes palavras de aviso:

PERIGO

PERIGO !

- ▶ Indica perigo iminente que pode originar acidentes pessoais graves ou até mesmo fatais.

AVISO

AVISO !

- ▶ Indica um possível perigo que pode causar graves ferimentos pessoais, até mesmo fatais.





CUIDADO

CUIDADO !

- ▶ Indica uma situação potencialmente perigosa que pode originar ferimentos ligeiros ou danos materiais.


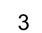



1.2.2 Símbolos na documentação

Nesta documentação são utilizados os seguintes símbolos:

	Leia o manual de instruções antes da utilização
	Instruções de utilização e outras informações úteis
	Manuseamento com materiais recicláveis
	Não deitar as ferramentas eléctricas e baterias no lixo doméstico

1.2.3 Símbolos nas figuras

Em figuras são utilizados os seguintes símbolos:

	Estes números referem-se à respectiva imagem no início deste Manual
	A numeração reproduz uma sequência dos passos de trabalho na imagem e pode divergir dos passos de trabalho no texto
	Na figura Vista geral são utilizados números de posição que fazem referência aos números da legenda na secção Vista geral do produto
	Este símbolo pretende despertar a sua atenção durante o manuseamento do produto.
	Transferência de dados sem fios

1.3 Dados informativos sobre o produto

Os produtos **Hilti** foram concebidos para uso profissional e só devem ser utilizados, mantidos e reparados por pessoal autorizado e devidamente credenciado. Este pessoal deverá ter sido especialmente instruído



sobre os potenciais perigos que a ferramenta representa. O produto e seu equipamento auxiliar podem representar perigo se usados incorretamente por pessoas não qualificadas ou se usados para fins diferentes daqueles para os quais foram concebidos.

- Registe a designação e o número de série da placa de características na tabela seguinte.
- ▶ Faça referência a esta informação sempre que entrar em contacto com o nosso representante ou posto de serviço de atendimento aos clientes para colocar questões sobre o produto.

Dados do produto

Aparafusadora para gesso cartonado:	SD 4500 SD 2500
Geração:	01
N.º de série:	

1.4 Declaração de conformidade

Declaramos sob nossa exclusiva responsabilidade que o produto aqui descrito está em conformidade com as directivas e normas em vigor. Na parte final desta documentação encontra uma reprodução do organismo de certificação.

As documentações técnicas estão aqui guardadas:

Hilti Entwicklungsgesellschaft mbH | Zulassung Geräte | Hiltistraße 6 | 86916 Kaufering, DE

2 Segurança

2.1 Normas de segurança

As normas de segurança no capítulo que se segue contêm todas as normas gerais de segurança para ferramentas eléctricas que, de acordo com as normas aplicáveis, devem ser indicadas no manual de instruções. Por conseguinte, podem estar incluídas indicações que não são relevantes para esta ferramenta.

2.1.1 Normas de segurança gerais para ferramentas eléctricas

⚠ AVISO Leia todas as normas de segurança, instruções, imagens e dados técnicos, com os quais esta ferramenta eléctrica está equipada. O não cumprimento das instruções a seguir pode resultar em choque eléctrico, incêndio e/ou ferimentos graves.

Guarde bem todas as normas de segurança e instruções para futura referência.

O termo “ferramenta eléctrica” utilizado nas normas de segurança refere-se a ferramentas com ligação à corrente eléctrica (com cabo de alimentação) ou a ferramentas a bateria (sem cabo).

Segurança no posto de trabalho

- ▶ **Mantenha a sua área de trabalho limpa e bem iluminada.** Locais desarrumados ou mal iluminados podem ocasionar acidentes.
- ▶ **Não utilize a ferramenta eléctrica em ambientes explosivos ou na proximidade de líquidos ou gases inflamáveis.** Ferramentas eléctricas produzem faíscas que podem provocar a ignição de pó e vapores.
- ▶ **Mantenha crianças e terceiros afastados durante os trabalhos.** Distracções podem conduzir à perda de controlo sobre a ferramenta.

Segurança eléctrica

- ▶ **A ficha da ferramenta eléctrica deve servir na tomada. A ficha não deve ser modificada de modo algum. Não utilize quaisquer adaptadores com ferramentas eléctricas com ligação terra.** Fichas originais (não modificadas) e tomadas adequadas reduzem o risco de choque eléctrico.
- ▶ **Evite o contacto do corpo com superfícies ligadas à terra, como, por exemplo, canos, radiadores, fogões e frigoríficos.** Existe um risco elevado de choque eléctrico se o corpo estiver com ligação à terra.
- ▶ **As ferramentas eléctricas não devem ser expostas à chuva nem à humidade.** A infiltração de água numa ferramenta eléctrica aumenta o risco de choque eléctrico.
- ▶ **Não use o cabo de ligação para transportar, pendurar ou desligar a ferramenta eléctrica da tomada. Mantenha o cabo de ligação afastado de calor, óleo, arestas vivas ou partes em movimento.** Cabos de ligação danificados ou emaranhados aumentam o risco de choque eléctrico.
- ▶ **Quando operar uma ferramenta eléctrica ao ar livre, utilize apenas cabos de extensão próprios para utilização no exterior.** A utilização de um cabo de extensão próprio para utilização no exterior reduz o risco de choques eléctricos.



- ▶ **Utilize um disjuntor diferencial se não puder ser evitada a utilização da ferramenta eléctrica em ambiente húmido.** A utilização de um disjuntor diferencial reduz o risco de choque eléctrico.

Segurança física

- ▶ **Esteja alerta, observe o que está a fazer, e tenha prudência ao trabalhar com uma ferramenta eléctrica. Se estiver cansado ou sob influência de drogas, álcool ou medicamentos não efectue nenhum trabalho com ferramentas eléctricas.** Um momento de distração ao operar a ferramenta eléctrica pode causar ferimentos graves.
- ▶ **Use equipamento de segurança. Use sempre óculos de protecção.** Equipamento de segurança, como, por exemplo, máscara antipoeiras, sapatos de segurança antiderrapantes, capacete de segurança ou protecção auricular, de acordo com o tipo e aplicação da ferramenta eléctrica, reduzem o risco de lesões.
- ▶ **Evite um arranque involuntário. Assegure-se de que a ferramenta eléctrica está desligada antes de a ligar à fonte de alimentação e/ou à bateria, pegar nela ou a transportar.** Transportar a ferramenta eléctrica com o dedo no interruptor ou ligar uma ferramenta à tomada com o interruptor ligado (ON) pode resultar em acidentes.
- ▶ **Remova quaisquer chaves de ajuste (chaves de fenda), antes de ligar a ferramenta eléctrica.** Um acessório ou chave deixado preso numa parte rotativa da ferramenta pode causar ferimentos.
- ▶ **Evite posturas corporais desfavoráveis. Mantenha sempre uma posição correcta, em perfeito equilíbrio.** Desta forma será mais fácil manter o controlo sobre a ferramenta eléctrica em situações inesperadas.
- ▶ **Use roupa apropriada. Não use roupa larga ou jóias. Mantenha o cabelo, vestuário e luvas afastados das peças móveis.** Roupas largas, jóias ou cabelos compridos podem ficar presos nas peças móveis.
- ▶ **Se poderem ser montados sistemas de remoção e de recolha de pó, assegure-se de que estes estão ligados e são utilizados correctamente.** A utilização de um sistema de remoção de pó pode reduzir os perigos relacionados com a exposição ao mesmo.
- ▶ **Não se acomode numa falsa sensação de segurança e não ignore os regulamentos de segurança para ferramentas eléctricas, mesmo se estiver familiarizado com a ferramenta eléctrica após numerosas utilizações.** Agir de forma descuidada pode causar ferimentos graves dentro duma fracção de segundo.

Utilização e manuseamento da ferramenta eléctrica

- ▶ **Não sobrecarregue a ferramenta. Use para o seu trabalho a ferramenta eléctrica correcta.** Com a ferramenta eléctrica adequada obterá maior eficiência e segurança se respeitar os seus limites.
- ▶ **Não utilize a ferramenta eléctrica se o interruptor estiver defeituoso.** Uma ferramenta eléctrica que já não possa ser accionada pelo interruptor é perigosa e deve ser reparada.
- ▶ **Retire a ficha da tomada e/ou remova uma bateria amovível antes de efectuar ajustes na ferramenta, substituir acessórios ou guardar a ferramenta.** Esta medida preventiva evita o accionamento accidental da ferramenta eléctrica.
- ▶ **Guarde ferramentas eléctricas não utilizadas fora do alcance das crianças. Não permita que a ferramenta seja utilizada por pessoas não familiarizadas com a mesma ou que não tenham lido estas instruções.** Ferramentas eléctricas operadas por pessoas não treinadas são perigosas.
- ▶ **Faça uma manutenção regular de ferramentas eléctricas e acessórios. Verifique se as partes móveis funcionam perfeitamente e não emperram ou se há peças quebradas ou danificadas que possam influenciar o funcionamento da ferramenta eléctrica. Peças danificadas devem ser reparadas antes da utilização da ferramenta.** Muitos acidentes são causados por ferramentas eléctricas com manutenção deficiente.
- ▶ **Mantenha as ferramentas de corte sempre afiadas e limpas.** Acessórios com gumes afiados tratados correctamente emperram menos e são mais fáceis de controlar.
- ▶ **Utilize a ferramenta eléctrica, acessórios, bits, etc., de acordo com estas instruções. Tome também em consideração as condições de trabalho e o trabalho a ser efectuado.** A utilização da ferramenta eléctrica para outros fins além dos previstos, pode ocasionar situações de perigo.
- ▶ **Mantenha punhos e respectivas superfícies secos, limpos e isentos de óleo e gordura.** Punhos e superfícies afins escorregadios não permitem um manuseamento e controlo seguro da ferramenta eléctrica em situações imprevistas.

Manutenção

- ▶ **A sua ferramenta eléctrica só deve ser reparada por pessoal qualificado e só devem ser utilizadas peças sobressalentes originais.** Isto assegurará que a segurança da ferramenta eléctrica se mantenha.



2.1.2 Normas de segurança para aparafusadoras

- ▶ **Segure a ferramenta elétrica pelas áreas isoladas dos punhos quando realizar trabalhos onde o parafuso pode encontrar cabos elétricos encobertos ou o próprio cabo de ligação.** O contacto do parafuso com um cabo sob tensão também pode colocar partes metálicas da ferramenta sob tensão e causar um choque eléctrico.

2.1.3 Normas de segurança adicionais

Segurança física

- ▶ Utilize o produto somente se estiver em perfeitas condições técnicas.
- ▶ Nunca manipule ou altere a ferramenta.
- ▶ Ao realizar trabalhos de perfuração, vede a área que se encontra do lado oposto dos trabalhos. Restos de demolição podem desprender-se e/ou cair e ferir outras pessoas.
- ▶ Segure a ferramenta sempre com as duas mãos nos punhos previstos para o efeito. Mantenha os punhos secos e limpos.
- ▶ Evite o contacto com peças rotativas - risco de ferimentos!
- ▶ Durante a utilização da ferramenta, use óculos de protecção adequados, capacete de protecção, protecção auricular, luvas de protecção e máscara antipoeiras.
- ▶ Active no caso de substituição de acessórios, quando guardar e transportar a ferramenta eléctrica sempre o dispositivo de bloqueio.
- ▶ Também deve usar luvas de protecção durante a substituição de acessórios. Tocando no acessório pode causar ferimentos por corte e queimaduras.
- ▶ Utilize óculos de protecção. Os estilhaços podem provocar ferimentos corporais, nomeadamente nos olhos.
- ▶ Antes de iniciar os trabalhos, apure a classe de perigo do pó gerado. Utilize um aspirador industrial com protecção aprovada e que esteja de acordo com as regulamentações locais sobre emissão de poeiras nocivas para o ambiente.
- ▶ Se possível, utilize uma aspiração de pó e um removedor de pó móvel adequado. Pó de materiais, como tinta com chumbo, algumas madeiras, betão/alvenaria/rochas quartzíferas, minerais e metal podem ser nocivos.
- ▶ Garanta uma boa ventilação do local de trabalho e, se necessário, use uma máscara de protecção respiratória, adequada para o respectivo pó. O contacto ou inalação do pó podem provocar reacções alérgicas e/ou doenças das vias respiratórias no utilizador ou em pessoas que se encontrem nas proximidades. Determinados póis, como os de carvalho ou de faia, são considerados cancerígenos, especialmente em combinação com aditivos para o tratamento de madeiras (cromato, produtos para a preservação de madeiras). Material que contenha amianto só pode ser manuseado por pessoal especializado.
- ▶ Faça pausas durante o trabalho e exercícios para melhorar a circulação sanguínea nos dedos. Ao trabalhar durante períodos mais prolongados, as vibrações podem causar perturbações nos vasos sanguíneos ou no sistema nervoso nos dedos, mãos ou pulsos.

Segurança eléctrica

- ▶ Antes de iniciar os trabalhos, verifique o local de trabalho relativamente a cabos eléctricos encobertos, bem como tubos de gás e água. Partes metálicas externas da ferramenta podem causar um choque eléctrico se, inadvertidamente, danificarem uma linha eléctrica.

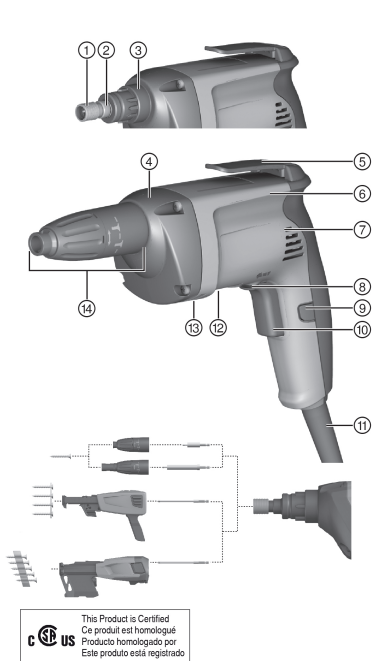
Utilização e manutenção de ferramentas eléctricas

- ▶ Fixe a peça a trabalhar. Uma peça a trabalhar fixada com grampos ou num torno de bancada fica mais segura do que apenas com a mão.
- ▶ Desligue imediatamente a ferramenta eléctrica, se o instrumento bloquear. A ferramenta pode desviar-se para os lados.
- ▶ Aguarde até que a ferramenta eléctrica esteja parada, antes de a pousar.



3 Descrição

3.1 Vista geral do produto



- ① Porta-broca
- ② Mandril
- ③ Interface ferramenta/acessório (ligação de engate)
- ④ Sistema de acoplamento/engrenagem
- ⑤ Gancho de cinto
- ⑥ Motor
- ⑦ Entrada de ar
- ⑧ Comutador de rotação direita/esquerda
- ⑨ Botão de bloqueio para operação continuada
- ⑩ Interruptor on/off
- ⑪ Cabo de alimentação
- ⑫ Placa de características
- ⑬ Saída de ar
- ⑭ Limitador de profundidade



3.2 Utilização correcta

O produto descrito é uma ferramenta eléctrica manual, destinada ao mercado da instalação/aplicação de placas de gesso cartonado.

A ferramenta destina-se a apertar e remover parafusos em materiais correspondentes na instalação de placas de gesso cartonado. Devem utilizar-se parafusos para gesso cartonado com diâmetros até 4,2 mm e comprimentos até 55 mm.

Materiais nocivos para a saúde (p. ex., amianto) não podem ser processados.

3.3 Incluído no fornecimento

Aparafusadora para gesso cartonado, manual de Instruções



Poderá encontrar outros produtos de sistema aprovados para o seu produto no seu Centro de Assistência Hilti ou online, em: www.hilti.com.

4 Características técnicas

4.1 Características técnicas

	SD 4500	SD 2500
Corrente nominal	6,5 A	3,3 A
Peso	1,4 kg (3,1 lb)	1,5 kg (3,3 lb)
Velocidade nominal de rotação sem carga	0 rpm ... 4 500 rpm	0 rpm ... 2 500 rpm



2021357

Português

29

	SD 4500	SD 2500
Torque máximo	9,5 Nm	19 Nm
Mandril	Sextavado interior 1/4"	Sextavado interior 1/4"

5 Utilização

5.1 Preparação do local de trabalho

CUIDADO

Risco de ferimentos! Arranque inadvertido do produto.

- ▶ Retire a ficha antes de efectuar ajustes na ferramenta ou substituir acessórios.

Tenha em atenção as instruções de segurança e as advertências nesta documentação e no produto.

5.1.1 Trabalho seguro com o gancho universal

- ▶ Antes de iniciar o trabalho, certifique-se de que o gancho universal está bem fixado à aparafusadora.
- ▶ Pouse a aparafusadora de forma segura, se não a utilizar durante um longo período de tempo.

5.1.2 Rotação direita / esquerda



Na posição central, o interruptor on/off encontra-se bloqueado (dispositivo de bloqueio).

- ▶ Coloque o comutador de rotação para a direita/esquerda em rotação para a direita ou para a esquerda.

5.2 Substituir a ferramenta de encaixe

1. Puxe pelo limitador de profundidade, soltando assim a ligação de engate.
2. Pressione o porta-ferramentas, rodando ligeiramente, contra a aparafusadora e mantenha esta posição.
3. Com a outra mão, retire a ferramenta de encaixe.
4. Coloque a ferramenta de encaixe pretendida na porta-ferramentas e pressione-a na aparafusadora, até ao batente.

5.3 Trabalhar

Tenha em atenção as instruções de segurança e as advertências nesta documentação e no produto.

5.3.1 Colocar parafusos

AVISO

Perigo devido a corrente eléctrica Perigo de choque eléctrico, se ao colocar parafusos forem atingidos cabos ocultos e, simultaneamente tocar no porta-broca ou no limitador de profundidade.

- ▶ Ao colocar ou retirar parafusos, segure a aparafusadora somente pelo punho.

1. Ajuste a aparafusadora para rotação à direita.
2. Coloque o parafuso no bit e posicione-o sobre o material base.



Rodando o limitador de profundidade é possível ajustar a profundidade de aparafusamento perfeita.

3. Regule a rotação com o botão de controlo.

5.3.2 Desaparafusar os parafusos

1. Retire limitador de profundidade.
2. Ajuste a aparafusadora para rotação à esquerda.
3. Coloque a aparafusadora com o bit sobre o parafuso e regule a rotação com o botão de controlo.
4. Depois de desaparafusar os parafusos, insira novamente o limitador de profundidade.

5.3.3 Ligar o modo "operação continuada"

- ▶ Ligue a operação continuada.




5.3.4 Desactivar o modo "operação continuada"

- ▶ Pressione o interruptor on/off.
 - ◀ O botão de bloqueio volta para a sua posição inicial.

5.3.5 Interface ferramenta e limitador de profundidade

1. Puxe pelo limitador de profundidade, soltando assim a ligação de engate.
2. Retire o limitador de profundidade da ferramenta, puxando-o para a frente.

 Para as seguintes operações o veio deve estar exposto (sem limitador de profundidade):
 remover um parafuso mal apertado, com rotação à esquerda,
 substituição de bits,
 substituição de porta-brocas,
 mudança para operação com carregador,
 reaperto de parafusos.

6 Conservação e manutenção

6.1 Conservação e manutenção

AVISO

Perigo devido a choque eléctrico! A conservação e manutenção com a ficha de ligação inserida pode originar ferimentos graves e queimaduras.

- ▶ Retirar sempre a ficha de ligação antes de todos os trabalhos de conservação e manutenção!

Conservação

- Remover a sujidade persistente com cuidado.
- Limpe as saídas de ar cuidadosamente com uma escova seca.
- Limpar a carcaça apenas com um pano ligeiramente humedecido. Não utilizar produtos de conservação que contenham silicone, uma vez que estes poderiam danificar os componentes de plástico.


Manutenção

AVISO

Perigo devido a choque eléctrico! Reparações incorrectas em peças eléctricas podem causar ferimentos e queimaduras graves.

- ▶ As reparações na parte eléctrica apenas podem ser executadas por um electricista especializado.
- Verificar, regularmente, todos os componentes visíveis quanto a danos e os comandos operativos quanto a funcionamento perfeito.
- Em caso de danos e/ou perturbações de funcionamento, não operar o aparelho. Mandar reparar de imediato pelo Centro de Assistência Técnica **Hilti**.
- Após os trabalhos de conservação e manutenção, aplicar todos os dispositivos de protecção e verificar o respectivo funcionamento.

7 Ajuda em caso de avarias


 No caso de avarias que não sejam mencionadas nesta tabela ou se não conseguir resolvê-las por si mesmo, contacte o nosso Centro de Assistência Técnica **Hilti**.

Avaria	Causa possível	Solução
A aparafusadora não funciona e quatro LED piscam.	A protecção contra sobrecarga reage.	▶ Solte o interruptor on/off e volte a accioná-lo. Reduza a carga.
Não é possível pressionar o interruptor on/off ou este está bloqueado.	Activar o dispositivo de bloqueio.	▶ Coloque o comutador de rotação para a direita/esquerda em rotação para a direita ou para a esquerda.



Avaria	Causa possível	Solução
Não é possível apertar o parafuso, embora a aparafusadora esteja a trabalhar.	Está ajustado um sentido de rotação errado.	▶ Ajustar o sentido de rotação correcto com o comutador para rotação à direita/esquerda.
Forte desenvolvimento de calor na aparafusadora.	Avaria eléctrica	▶ Desligar imediatamente a aparafusadora e contactar um Centro de Assistência Técnica Hilti .
	A aparafusadora ficou sobrecarregada devido a ter sido excedido o limite de aplicação.	▶ Seleccione uma aparafusadora que esteja adequada às exigências da aplicação.

8 Reciclagem

 As ferramentas **Hilti** são, em grande parte, fabricadas com materiais recicláveis. Um pré-requisito para a reciclagem é que esses materiais sejam devidamente separados. Em muitos países, a **Hilti** aceita a sua ferramenta usada para reutilização. Para mais informações dirija-se ao Serviço de Clientes **Hilti** ou ao seu vendedor.



- ▶ Não deite as ferramentas eléctricas, aparelhos electrónicos e baterias no lixo doméstico!

9 Garantia do fabricante

- ▶ Em caso de dúvidas quanto às condições de garantia, contacte o seu parceiro **Hilti** local.



This Product is Certified
Ce produit est homologué
Producto homologado por
Este producto está registrado





Hilti Corporation
LI-9494 Schaan
Tel.: +423 234 21 11
Fax: +423 234 29 65
www.hilti.com



2164701



Hilti Connect



2021357