



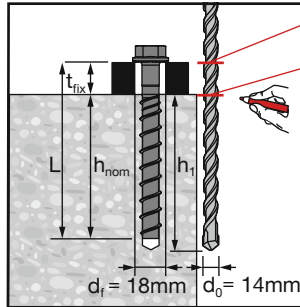
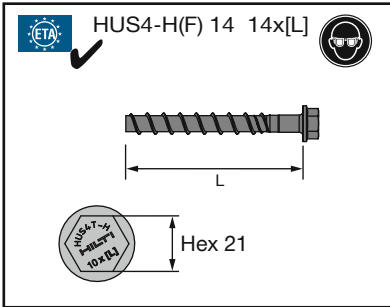
HUS4-H(F) 14



2310563-04.2025

<p>① CE 25 Hilti AG LI-9494 Schaan Hilti Werke 2873-CPR-201-72 ETA-20/0867 Notified body 2873 EAD 330232-01-0601 Product for fixing to- or connecting/supporting of building structures www.hilti.group</p>	<p>② CE 25 Hilti AG, LI-9494 Schaan Hilti Werke 2873-CPR-201-73 ETA-18/1160 Notified body 2873 EAD 332795-01-0601 Product for fixing to- or connecting/supporting of building structures www.hilti.group</p>	<p>③ CE 22 Hilti AG, LI-9494 Schaan Hilti Werke 2873-CPR-201-78 ETA-21/0969 Notified body 2873 EAD 332347-00-0601 Product for fixing to- or connecting/supporting of building structures www.hilti.group</p>
--	---	---

	①	②	③		①	②	③
HUS4-H 14×75	✓			HUS4-HF 14×75	✓		
HUS4-H 14×90	✓			HUS4-HF 14×100	✓		
HUS4-H 14×100	✓		✓	HUS4-HF 14×120	✓		
HUS4-H 14×120	✓		✓	HUS4-HF 14×150	✓	✓	
HUS4-H 14×130	✓	✓	✓				
HUS4-H 14×150	✓	✓	✓				



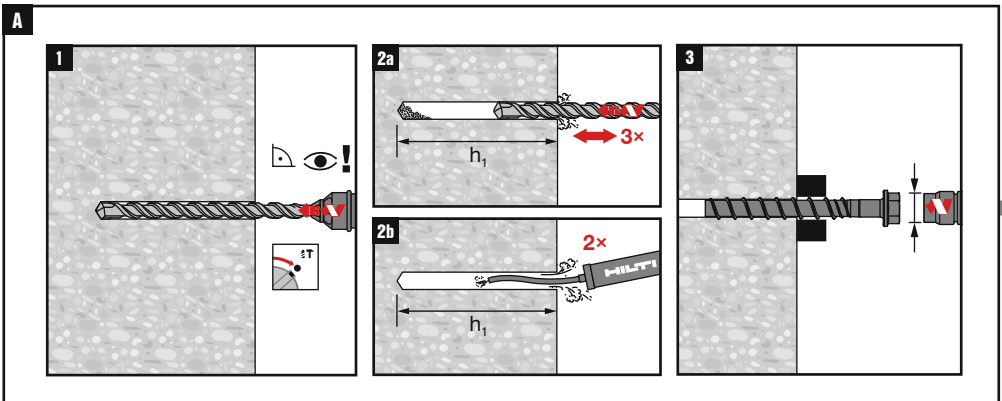
! $\geq h_1 + t_{fix}$

! $\geq h_1$

	h_{nom} [mm]
ETA ✓	≥ 65

	$h_1 = h_{nom} + 30 \text{ mm}$ 2a
	$h_1 = h_{nom} + 10 \text{ mm}$ 2b

SIW 6AT-A22 1/2", SIW 4AT-22 1/2"	
SIW 6-22 1/2"	✓
SIW 22T-A 1/2", SIW 22T-A 3/4"	✓
SIW 9-A22 3/4"	✓
SIW 8-22 1/2"	✓
SIW 10-22 3/4"	✓



4 optional

4a

4b

	h_{nom} [mm]	
	< 60	
	≥ 60	

5

B

1

2

3a

3b

4a

4b